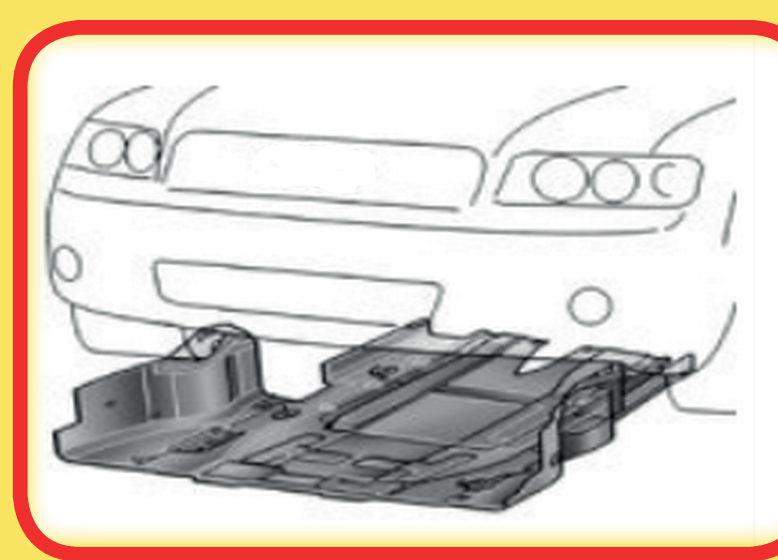
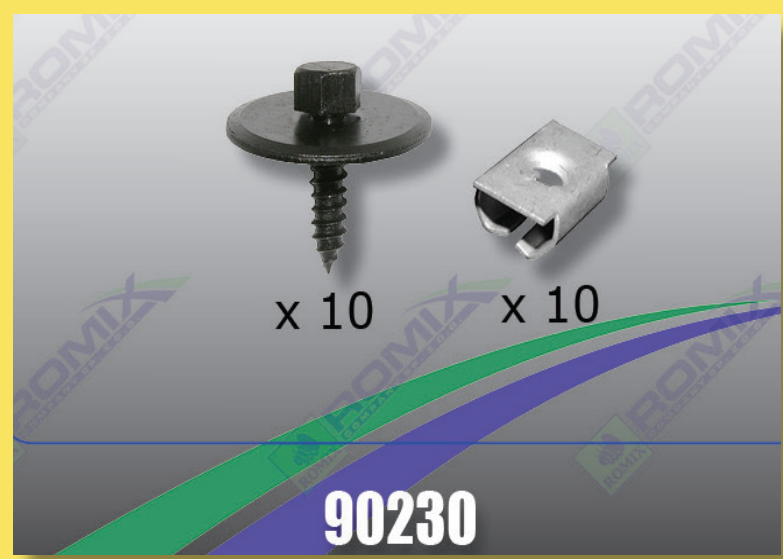
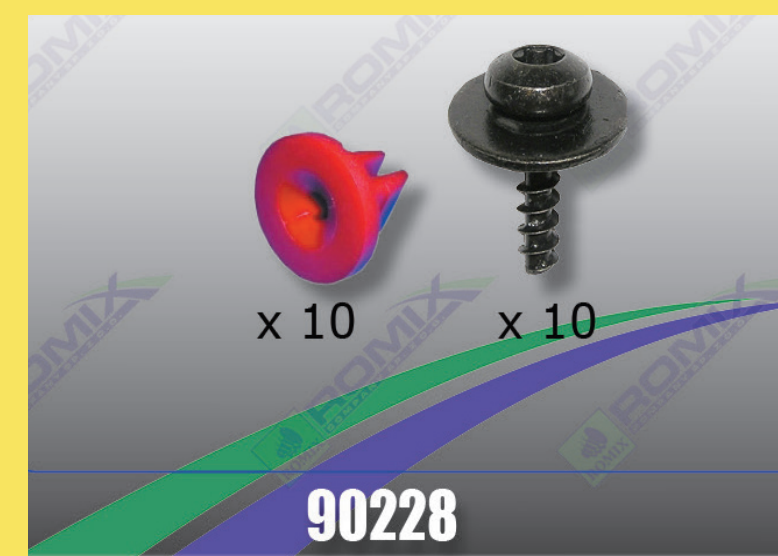
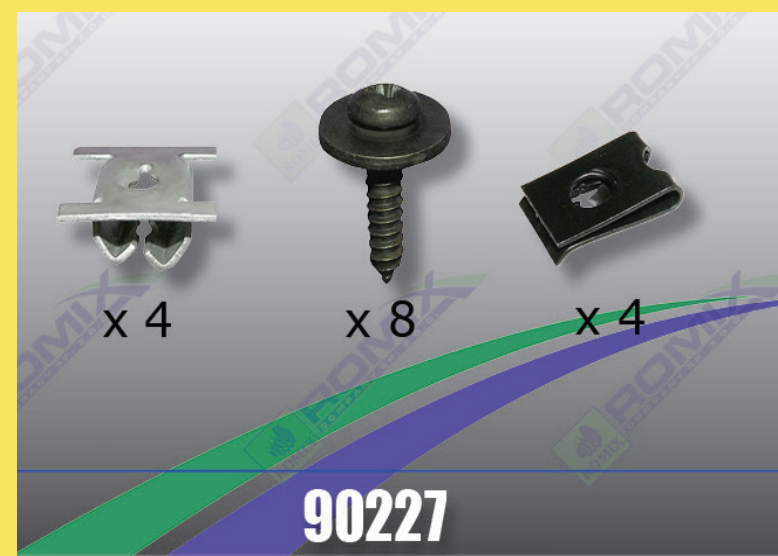
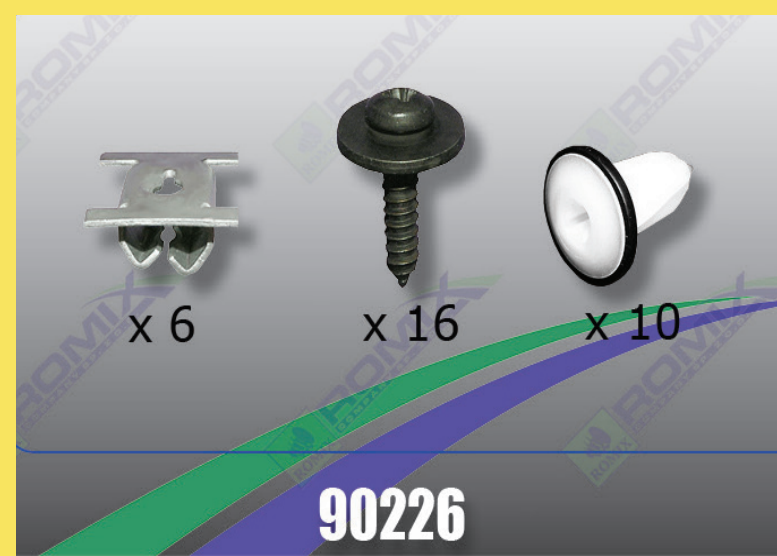
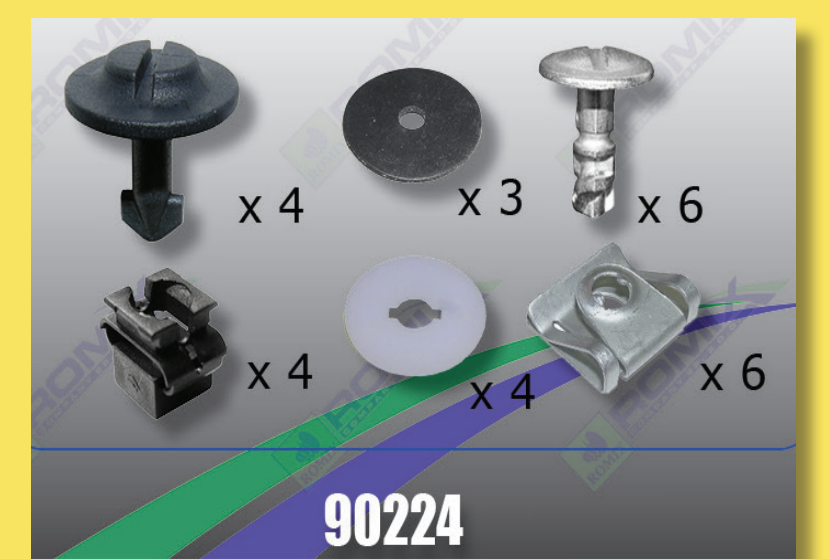
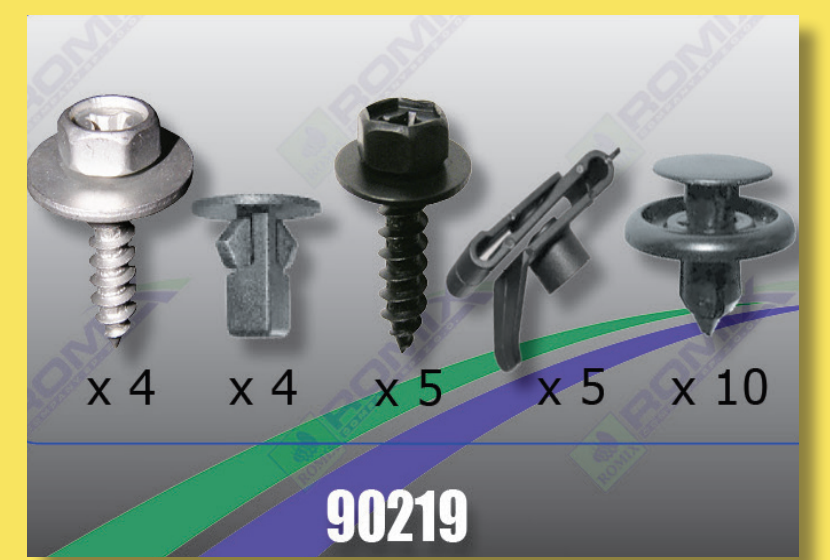
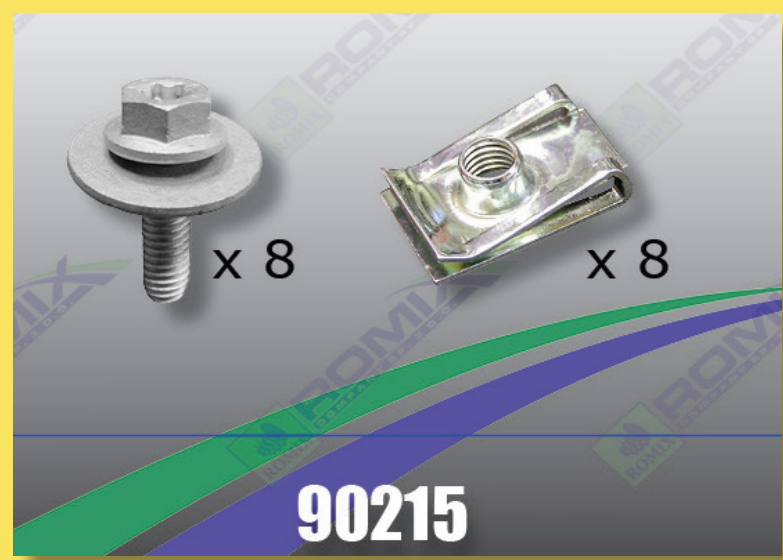
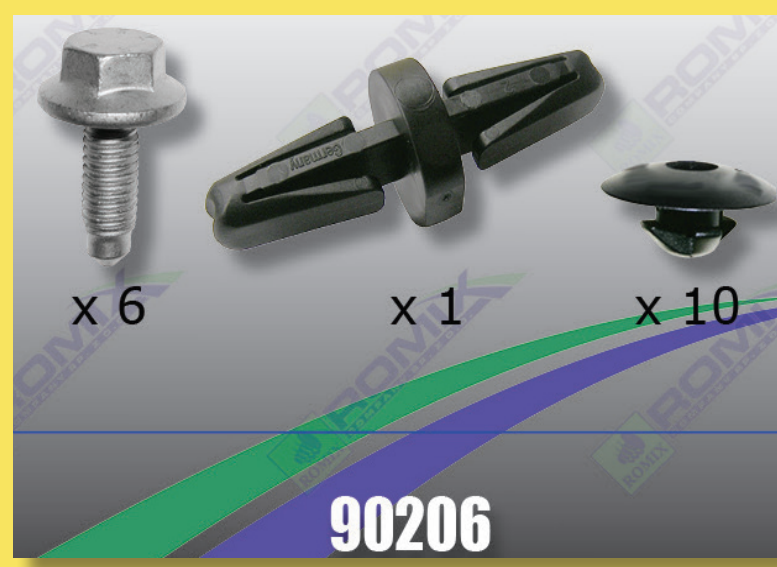
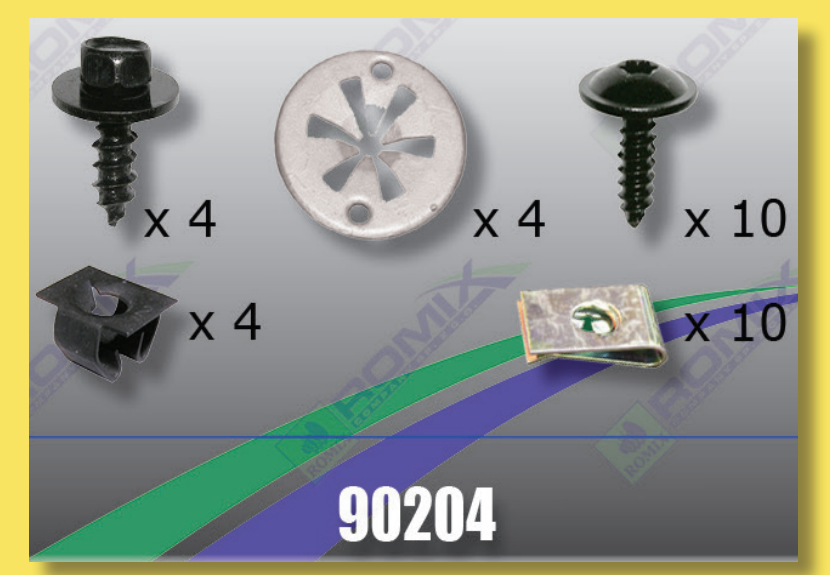
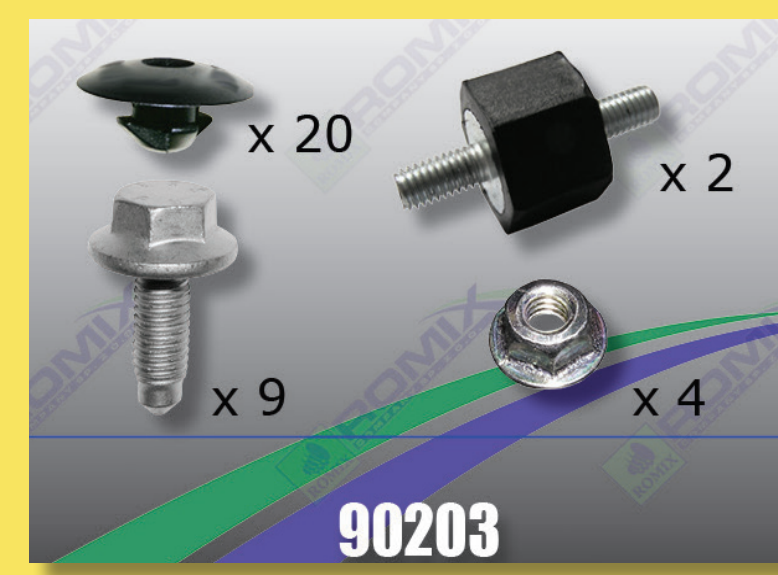
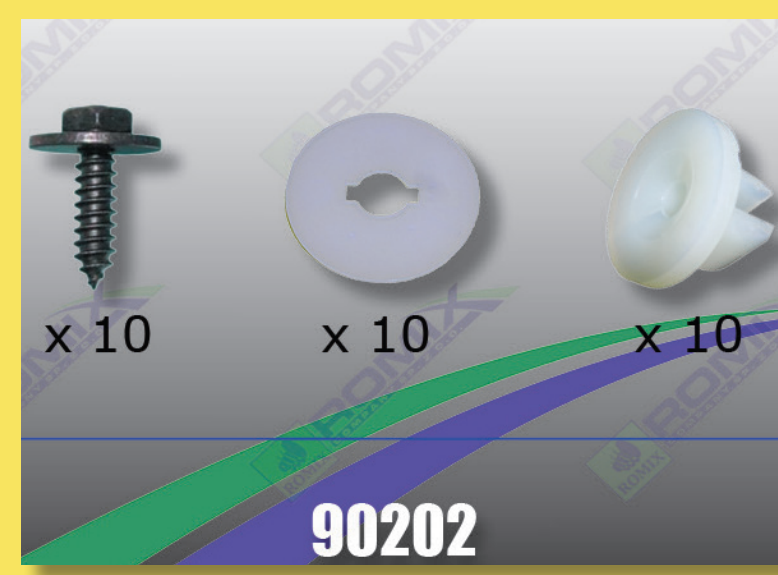
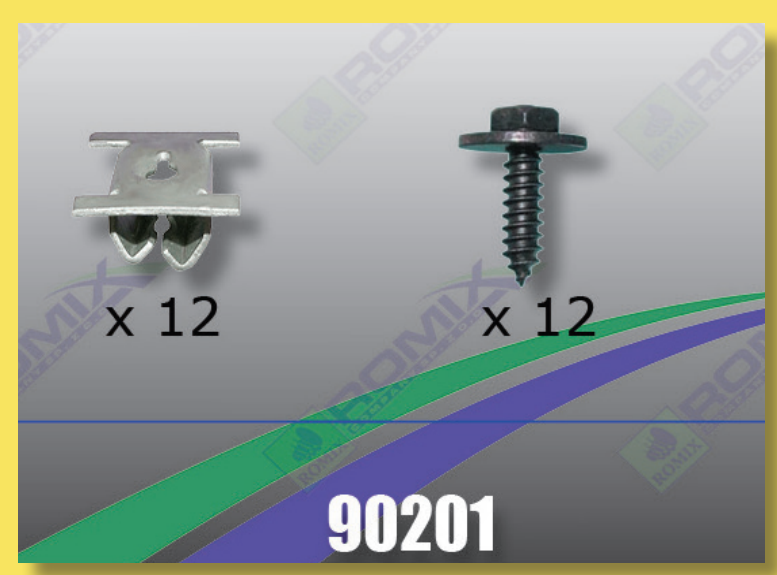


ZESTAWY MOCOWAŃ OSŁON POD SILNIK ENGINE COVER FASTENER KITS



marka/brand	model	zestaw set
Alfa Romeo	147 00→10	90237
Alfa Romeo	GT 03→10	90237
Audi	A4 B5	90200
Audi	A4 B5 benzyna/gasoline engine	90224 (orig.)
Audi	A4 B5 diesel	90225 (orig.)
Audi	A3 96→03	90204
Audi	A3 04→07	90207
Audi	A1	90222
Audi	A6 C5	90223
Audi	A6 C6	90223
Audi	A4 B8	90238
Audi	A5	90238
Audi	Q5	90238
BMW	3'E90	90209
BMW	5'E60	90210
BMW	3'E46	90211
Citroen	C5 I	90212
Citroen	C5 II	90212
Citroen	C5 II (X7)	90212
Citroen	C1	90213
Citroen	C2	90213
Citroen	C3	90213

marka/brand	model	zestaw set
Citroen	C3 II	90213
Citroen	C3 Picasso	90213
Citroen	C4 04→08	90229
Citroen	C4 Picasso 06→08	90229
Citroen	C8 02→11	90214
Citroen	Evasion I/II 94→03	90214
Citroen	Jumpy I/II 95→07	90214
Citroen	Jumper III	90226
Citroen	Xantia II	90236
Fiat	Ducato 06→11	90226
Fiat	Grande Punto 05→09	90227
Fiat	Ulysse I/II	90214
Ford	Galaxy	90203
Ford	Focus II	90228
Ford	Focus III	90228
Ford	C-MAX	90228
Ford	Mondeo III	90228
Ford	Mondeo IV	90228
Ford	S-MAX	90228
Ford	uniwersalny/universal	90202

marka/brand	model	zestaw set
Honda	Accord 98→02	90232
Honda	Accord 03→07	90233
Honda	Civic 01→05	90217
Honda	Civic 06→11	90231
Honda	CR-V 02→06	90217
Honda	Jazz 02→07	90217
Honda	Jazz 08→	90217
Hyundai	i30 07→12	90235
Kia	Ceed 06→12	90235
Mercedes	W124	90230
Mercedes	W201	90230
Mercedes	W202	90230
Mercedes	W203	90216
Mercedes	W204	90216
Mercedes	W210	90230
Mercedes	W211	90216
Opel	Astra G	90201
Opel	Astra H	90201
Opel	Astra J	90201
Opel	Corsa C	90201
Opel	Corsa D	90201
Opel	Insignia	90201
Opel	Meriva A	90201

marka/brand	model	zestaw set
Opel	Meriva B	90201
Opel	Signum	90201
Opel	Tigra B	90201
Opel	Vectra C	90201
Opel	Zafira A	90201
Opel	Zafira B	90201
Peugeot	307 01→07	90236
Peugeot	308 07→08 diesel	90229
Peugeot	407 04→	90212
Peugeot	1007	90213
Peugeot	806 94→03	90214
Peugeot	807 02→10	90214
Peugeot	Boxer III	90226
Peugeot	Expert I/II	90214
Renault	Espace IV	90234
Renault	Laguna II	90234
Renault	Megane I	90215
Renault	Megane II	90215
Renault	Scenic I	90215
Renault	Scenic II	90215
Renault	Grand Scenic II	90215
Renault	Vel Satis	90234

marka/brand	model	zestaw set
Seat	Exeo	90200
Seat	Exeo benzyna/gasoline engine	90224 (orig.)
Seat	Exeo diesel	90225 (orig.)
Seat	Alhambra	90203
Seat	Leon 95→05	90204
Seat	Toledo 99→04	90204
Seat	Altea	90207
Seat	Leon 06→10	90207
Seat	Toledo 05→09	90207
Seat	Ibiza 02→11	90222
Seat	Cordoba 03→08	90222
Skoda	Superb 02→08	90200
Skoda	Superb 02→08 benzyna/gasoline engine	90224 (orig.)
Skoda	Superb 02→08 diesel	90225 (orig.)
Skoda	Octavia I	90204
Skoda	Octavia II	90207
Skoda	Fabia 00→08	90222
Skoda	Fabia 07→10	90222
Skoda	Fabia 10→	90222
Skoda	Roomster	90222
Toyota	Avenis 03→08	90205

marka/brand	model	zestaw set
Toyota	Corolla 07→	90218
Toyota	Auris 06→12	90218
Toyota	Corolla 02→08	90219
Toyota	Yaris 99→05	90220
Toyota	Yaris 05→11	90221
VW	Passat B5	90200
VW	Passat B5 benzyna/gasoline engine	90224 (orig.)
VW	Passat B5 diesel	90225 (orig.)
VW	Transporter T4	90203
VW	Sharan 95→10	90203
VW	Golf IV	90204
VW	Bora	90204
VW	New Beetle	90204
VW	Transporter T5	90206
VW	Golf V	90207
VW	Jetta 05→	90207
VW	Caddy 09→	90207
VW	Touran	90207
VW	Passat B6	90208
VW	Polo 04→07	90222
VW	Fox 05→11	90222